

POWERFLEX®

PART NUMBER

PFF80-1702

DESCRIPTION

FRONT WISHBONE REAR BUSH

INSTALLATION GUIDE

Contents (parts per pack):

- 2 x Polyurethane Bushes
- 1 x PTFE/Silicone Grease
- 2 x Zinc Plated Outer Shells
- 2 x Stainless Steel Sleeves
- 4 x Zinc Plated Mild Steel Washers

Please read the complete fitting instructions and check package components before fitment. These fitting instructions are to be used as a guide and in conjunction with workshop manual.

It is recommended that:

- all work to be carried out by a licensed technician;
- all safety precautions adhered to;
- wheel alignment to be checked and adjusted as required after any suspension work.
- All fasteners must be tensioned to manufacturer's torque settings.



Fitting Instructions:

1. Remove the arm from the car and press out the original bush. Remove any rust or sharp edges from the bore.
2. Press the outer shell into the arm in the orientation shown in both Figure 1 and Figure 2.
3. Press the bushing into the shell lip, as shown in Figure 2.
4. Apply grease to the bore of the bushing and press the sleeve into place, so it is flush to the top as shown in Figure 1.
5. Using supplied washers, refit to vehicle and tighten all fasteners to manufacturers torque settings.



Figure 1

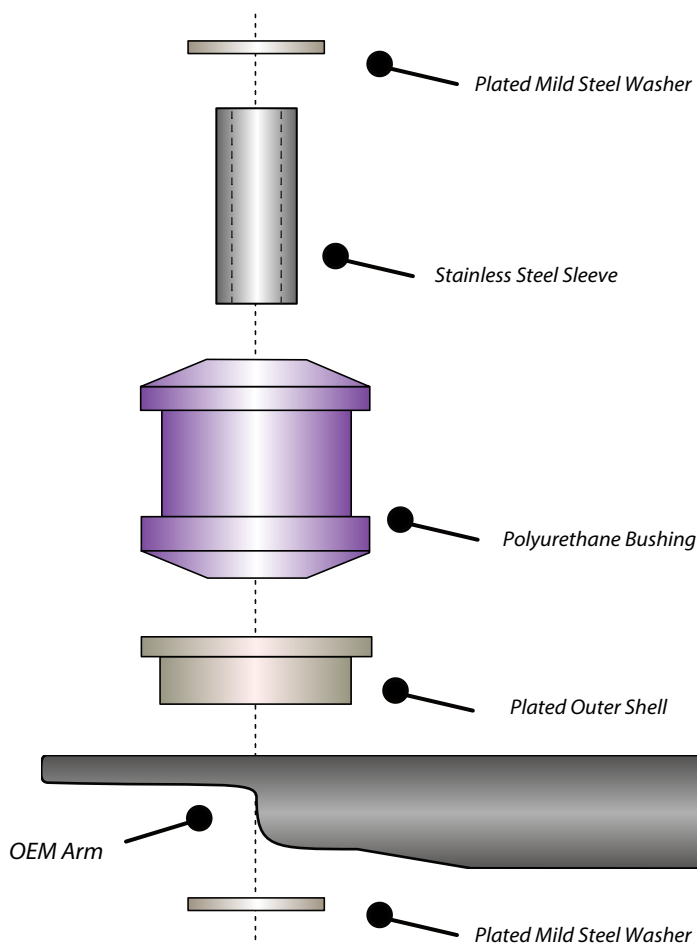


Figure 2